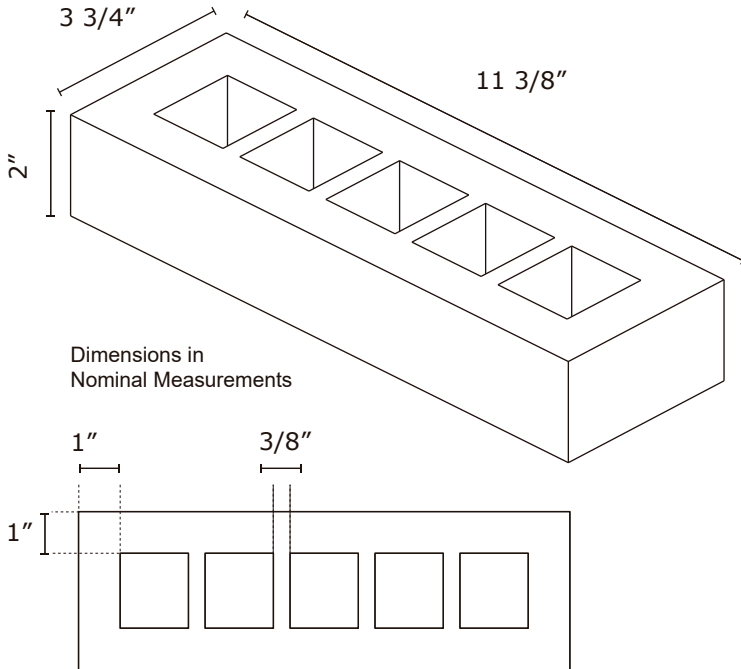


ANCIENT ROMAN

Is a commercial brick



NOMINAL DIMENSIONS

	HEIGHT	WIDTH	LENGTH
in	2"	3 3/4"	11 3/8"
mm	50	90	290

DIMENSIONAL TOLERANCE (±)

	HEIGHT	WIDTH	LENGTH
in	4/32	4/32	3/16
mm	3	3	5

WALL THICKNESS

in	Exteriors: 1"	Interiors: 3/8"
mm	Exteriors: 25	Interiors: 10

Net area (%)	-		
--------------	---	--	--

pcs / sq ft:	5.2	pcs / m ² : 55.6	3/8" joint (1cm)
--------------	-----	-----------------------------	------------------

Weight per piece (kg)	1.6
Weight per piece (lb)	3.53

Bricks per pallet	624
-------------------	-----

Weight per pallet (kg)	998
Weight per pallet (lb)	2,201

Packs per truck	20
-----------------	----

Pieces per truck	12480
------------------	-------

Weight per truck (kg)	19,968
Weight per truck (lb)	44,022

24 hour cold water absorption	12.5%
-------------------------------	-------

Average compressive strength	163 kg/cm ² / 2318 psi
------------------------------	-----------------------------------

BRICK VELOUR FINISH (wire cut)



Velour Texture
Color: Yaqui shades



Smooth Texture
Color: Yaqui shades



Velour Texture
Color: Natural shades



Smooth Texture
Color: Natural shades

Light



YAQUI light brow joint



YAQUI light cement joint

Dark



YAQUI dark brow joint



YAQUI dark cement joint

Blend



YAQUI dark blend brow joint



YAQUI light blend cement joint



USED Brick style



Kansas



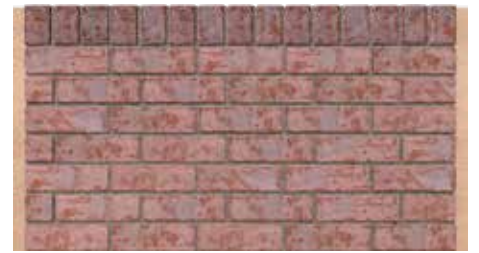
Dakota



Ohio Antique



Winter London



Catalina Rose



Cancún