

ANTIGUO MEJICANO

Is a commercial brick



ANTIGUO MEJICANO



AVAILABLE IN RUSTIC, WIRE CUT AND SMOOTH FINISHES

NOMINAL DIMENSIONS

	HEIGHT	WIDTH	LENGTH
in	3"	4 3/4"	9 7/8"
mm	75	120	250

DIMENSIONAL TOLERANCE (±)

	HEIGHT	WIDTH	LENGTH
in	4/32	4/32	3/16
mm	3	3	5

WALL THICKNESS

in	Exteriors: 13/16"	Inner: 9/16"
mm	Exteriors: 20	Inner: 15

Net area (%) -

pcs / sq ft: 4.2 pcs / m²: 45.2 3/8" joint (1cm)

Weight per piece (kg) 2.1
Weight per piece (lb) 4.60

Bricks per pallet 460

Weight per pallet (kg) 966
Weight per pallet (lb) 2,130

Packs per truck 21

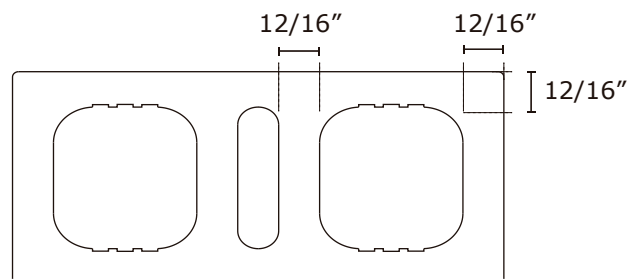
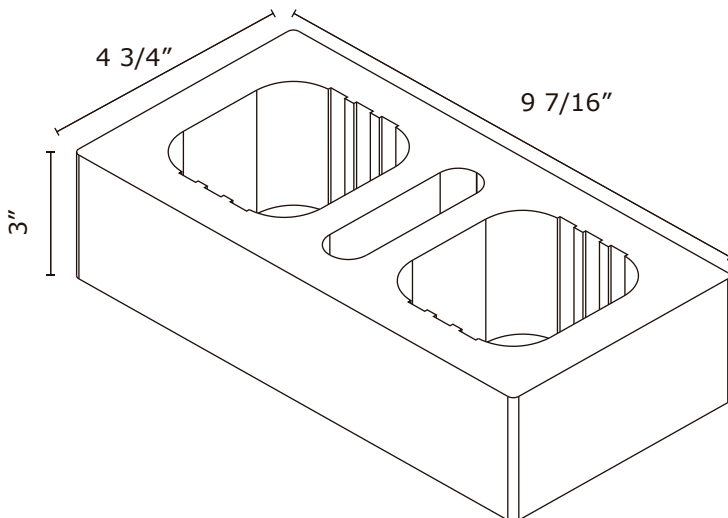
Pieces per truck 9660

Weight per truck (kg) 20,286

Weight per truck (lb) 44,726

24 hour cold water absorption 12.5%

Average compressive strength 163 kg/cm² 2318 psi



Dimensions in
Nominal Measurements

www.clay-pro.com