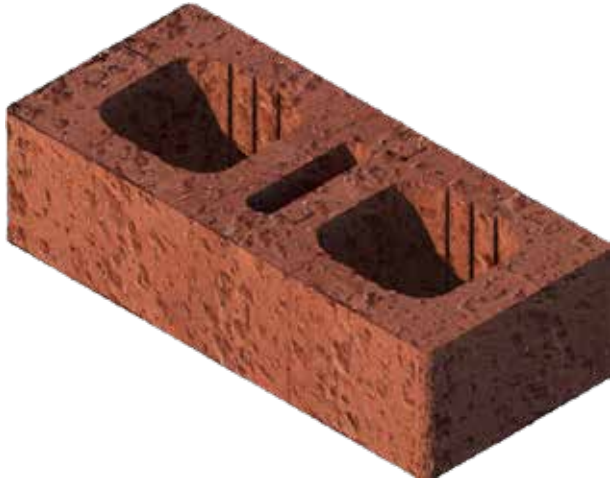


VINTEX BRICK

Is a commercial brick



ENGLISH RED 6/12



AVAILABLE IN RUSTIC, WIRE CUT AND SMOOTH FINISHES

NOMINAL DIMENSIONS

	HEIGHT	WIDTH	LENGTH
in	2 1/4"	4 3/4"	9 7/16"
mm	57	120	240

DIMENSIONAL TOLERANCE (±)

	HEIGHT	WIDTH	LENGTH
in	4/32	4/32	5/32
mm	3	3	4

WALL THICKNESS

in	Exteriors: 12/16"	Interiors: 9/16"
mm	Exteriors: 20	Interiors: 15

Net area (%)	55
--------------	----

pcs / sq ft: 5.5	pcs / m ² : 59.7	3/8" joint (1cm)
------------------	-----------------------------	------------------

Weight per piece (kg)	1.7
-----------------------	-----

Weight per piece (lb)	3.75
-----------------------	------

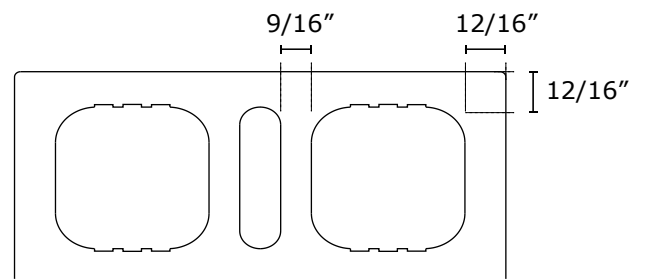
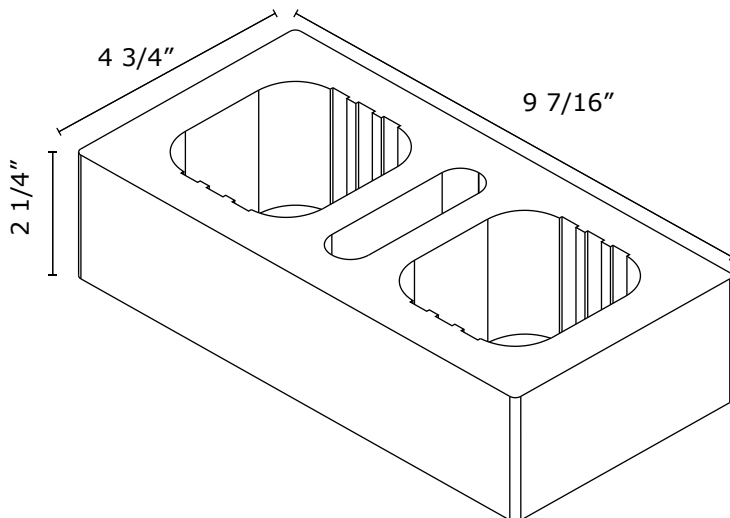
Bricks per pallet	392
-------------------	-----

Weight per pallet (kg)	666.4
------------------------	-------

Weight per pallet (lb)	1469
------------------------	------

24 hour cold water absorption	12.6%
-------------------------------	-------

Average compressive strength	4267.1 (psi)
------------------------------	--------------



Dimensions in
Nominal Measurements

www.clay-pro.com